



RT-3100

High-throughput Gigabit AV Router
with BakPak



BakPak
Enabled

QUICK START GUIDE

Introduction

The Pakedge RT-3100 High-throughput Gigabit AV Router gives you incredibly fast speeds and unmatched ease of use for a mid-sized network, including a simple configuration page for fast setup. The router has common features like port forwarding, 1:1 NAT, and static routes, while also supporting advanced configuration of firewall and multicast forwarding rules. The RT-3100 also supports BakPak for whole-home remote management.

Key features

- 900+ Mbps WAN-to-LAN firewall throughput
- Secure VPN: Support for PPTP and OpenVPN
- Up to 5 fully configurable VLANs for advanced inter-VLAN and multicast routing
- Built-in BakPak whole-home remote management
- BakPakDDNS: Free Dynamic DNS service built in
- Simple-to-use web GUI

Package contents

- (1) RT-3100 router
- (1) Power cord
- (2) Rack-mount brackets and screws
- (1) Quick Start Guide
- (1) Ethernet cable
- (4) Rubber feet

Installing the router

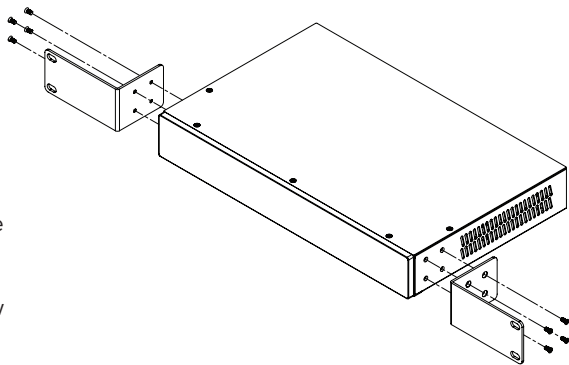
Tools required:

- Phillips screwdriver (if using rack-mount brackets)
- Computer with Ethernet interface and a web browser
- Ethernet cable

Installation

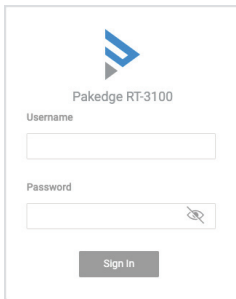
- 1 Open the box and remove the router.
- 2 If mounting the router in a standard 19" AV rack, attach the included rack-mount brackets to the sides of the router. If not mounting to a rack, ensure that the router is physically mounted near power and the ISP modem.
- 3 Connect power to the device.
- 4 Connect an Ethernet cable from your ISP modem to the **WAN** port on the router.

You are now ready to configure the router to allow Internet access and register with BakPak.



Logging in

- 1 Connect the router to power and toggle the power switch on the rear panel to the On position. The **PWR** LED will light up.
- 2 Connect a computer to the router's LAN port using an Ethernet cable. Enter **192.168.1.1** into the address bar of your web browser. A login page opens.
- 3 In the *username* box, type **admin**. In the *password* box, type **password**, then click **Log in**.



Pagedge RT-3100

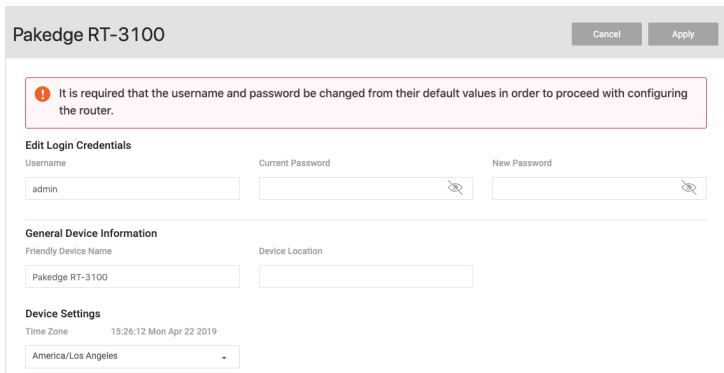
Username

Password

Sign In

Important: You *must* change your username and password the first time you log in to the router.

The first-time configuration screen opens, which enables you to configure all basic router settings to get up and running quickly.



Pakedge RT-3100 Cancel Apply

! It is required that the username and password be changed from their default values in order to proceed with configuring the router.

Edit Login Credentials

Username: Current Password: New Password:

General Device Information

Friendly Device Name: Device Location:

Device Settings

Time Zone: 15:26:12 Mon Apr 22 2019

- 4 Change the settings, including the login credentials, then click **Apply**.
- 5 To see an overview of your router status, click the **Overview** tab.
- 6 To register the router with BakPak, click the **BakPak** icon in the top menu bar.

Registering your router with BakPak

The *BakPak Registration* page allows you to connect this router to your existing BakPak account, or create a new account to manage all of your BakPak Management Agents.

BakPak Registration

The below section allows you to register this RT-3100 for use as a BakPak management device:

New BakPak Account:

If this is your first time using BakPak, you will need to create a BakPak account. This account ties to your dealer account information and requires a Control4/Pakedge dealer number in order to sign up.

To sign up, follow the link [HERE](#) and complete the steps to create your account.

Once you confirm your account is created, come back to this page and click the "Register to BakPak" button below. This will tie this specific device to your BakPak account and allow you access to the full cloud management features of BakPak on this network.

Existing BakPak Account / Register Device:

If you have an existing BakPak account, click the [Register to BakPak](#) button below in order to register this RT-3100 to your BakPak account.

In order to perform the registration process you must be accessing this router from its local network or through a VPN connection to the network.

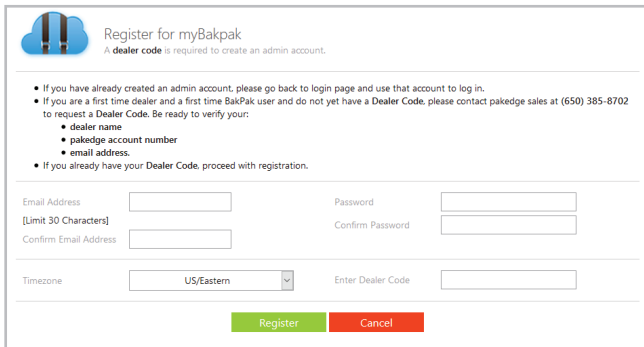
After you press the [Register to BakPak](#) button it will take around 100 seconds to complete the initial process. Once this is complete you will be redirected away from the RT-3100 to a new page in order to complete the registration process.

[Register to BakPak](#)

Note: For more detailed instructions for this device and for the BakPak Management Agent, refer to the *RT-3100 User Guide* (ctrl4.co/rt3100-ug).

Creating a new Bakpak Cloud account

- 1 Click the **HERE** link on the *BakPak Registration* page or open a web browser and enter the following URL: <https://mybakpak.com>
- 2 Click [Create a] **Dealer Admin Account**.
The *Register for mybakpak* page opens.



The screenshot shows a registration form titled "Register for myBakpak" with a sub-note: "A dealer code is required to create an admin account." The form includes a list of instructions, input fields for email, password, and dealer code, and a dropdown for time zone.

Register for myBakpak
A dealer code is required to create an admin account.

- If you have already created an admin account, please go back to login page and use that account to log in.
- If you are a first time dealer and a first time BakPak user and do not yet have a Dealer Code, please contact packaged sales at (650) 385-8702 to request a Dealer Code. Be ready to verify your:
 - dealer name
 - pakedge account number
 - email address.
- If you already have your Dealer Code, proceed with registration.

Email Address Password
[Limit 30 Characters] Confirm Password
Confirm Email Address

Timezone Enter Dealer Code

- 3 Follow the on-screen instructions to get your Dealer Code.
- 4 Enter your email address, new password, time zone, and Dealer Code, then click **Register**.
- 5 Access your router again to register it with your new BakPak account.

Technical Support

For technical help:
www.pakedge.com/portal
support@pakedge.com
+1 (650) 385-8703

For regulatory information:
www.pakedge.com/regulatory



11734 Election Road, Draper, UT 84020
Main: +1 (650) 385-8700 Fax: +1 (650) 685-5520

www.pakedge.com
sales@pakedge.com
©2019 Control4. All rights reserved.

Latest version at
pkdge.co/rt3100-qsg



200-00569-B 2019-05-17 MS